

MGP 多功能旋转接头 (流体滑环)



产品系列主要特点

MGP系列旋转接头有2,3,4,6,8,10和12通道共7种规格,采用多通道旋转接头专门的密封技术,适用于真空和双向压力以及独立的流道,可同时传输不同类型的介质,如传输压缩空气,真空,液压油,水,热水,冷却液,蒸汽等介质.

MGP是最通用的多功能旋转接头,规格型号多,适用于90%的应用场合。压力范围广,最大可达50Mpa。

型号列表

型号	通道数	接口尺寸	压力范围
MGP2	2通道	G1/8" G1/4" G3/8" G1/2" G5/8"	0-50MPa
MGP3	3通道	G1/8" G1/4" G3/8" G1/2" G3/4" G7/8"	0-50MPa
MGP4	4通道	G1/8" G1/4" G3/8" G1/2" G3/4" G7/8"	0-50MPa
MGP6	6通道	G1/8" G1/4" G3/8" G1/2" G5/8"	0-50MPa
MGP8	8通道	G1/8" G1/4" G3/8" G1/2"	0-50MPa

技术规格参数

机械技术指标		旋转接头部分技术指标	
参数	数值	参数	数值
工作寿命	参考产品选型等级	通道数	2、3、4、6、8通道
额定转速	参考产品选型等级	最大压力	50MPa (可定制高压), 真空 30HG
工作温度	-30°C~80°C	可过介质	空气, 真空, 液压油, 水, 热水, 冷却液, 蒸汽等
工作湿度	0~85% RH	扭矩	与接口尺寸相关
密封件	参考产品等级选型表		
壳体材料	铝合金/钢		
防护等级	IP51		

产品等级选型表

产品等级代号	最高转速	工作寿命	密封件
VC (通用级)	100RPM	600万转	国内知名品牌密封件
VD (工业级)	300RPM	2000万转	进口密封件

非标定制可选项

注: 以下特别要求均可定制, 交期会增加3~15天不等, 费用增加5%~50%不等, 本公司大部分基础配件都有标准化, 模块化, 非标定制可大大减少成本和交期。

- 1 接头大小
- 2 压力大小
- 3 转速高低
- 4 中空内孔大小
- 5 腐蚀性介质, 全不锈钢材质, 防爆, 高温
- 6 可与电滑环组合

技术支持邮箱: technical@moflon.com

MGP2(2进2出 多功能旋转接头/流体滑环)

订购型号说明

MGP21-ID12-VC

MGP2:多功能旋转接头

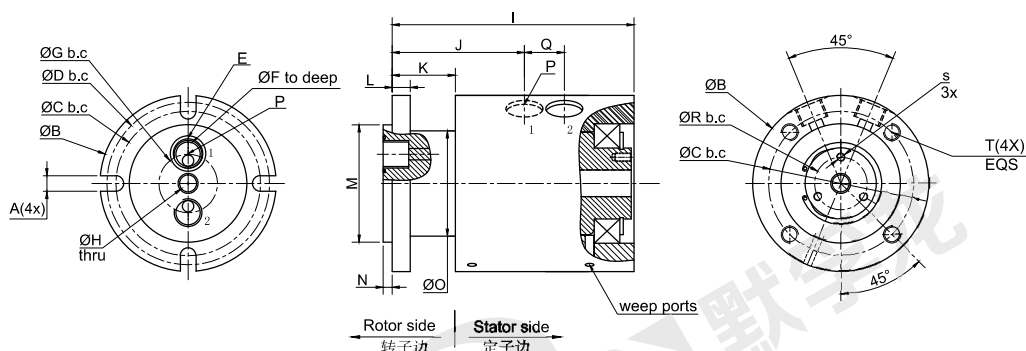
2: 2进2出

1: 接口尺寸, 1=G1/8", 2=G1/4", 3=G3/8"
4=G1/2", 5=G5/8", 6=G3/4", 8=G1", 10=G(1+1/4")

产品等级代号
VC 通用级产品等级
VD 工业级产品等级
默认省略=VC通用级产品等级

ID12: 内孔12mm

MGP2系列(多功能旋转接头)尺寸图



选型表

MGP2系列选型表

型号	通道数	接口尺寸	内孔尺寸	压力范围	型号	通道数	接口尺寸	内孔尺寸	压力范围
MGP21	2进2出	G1/8"	N/A	0-50MPa	MGP23-ID19	2进2出	G3/8"	19mm	0-50MPa
MGP21-ID12	2进2出	G1/8"	12mm	0-50MPa	MGP24	2进2出	G1/2"	N/A	0-50MPa
MGP22	2进2出	G1/4"	N/A	0-50MPa	MGP24-ID19	2进2出	G1/2"	19mm	0-50MPa
MGP22-ID19	2进2出	G1/4"	19mm	0-50MPa	MGP25-ID25	2进2出	G5/8"	25mm	0-50MPa
MGP23	2进2出	G3/8"	N/A	0-50MPa					

Size	MGP21	MGP21-ID12	MGP22	MGP22-ID19	MGP23	MGP23-ID19	MGP24	MGP24-ID19	MGP25-ID25
A	5.5mm	7.14mm	7.14mm	9.0mm	7.14mm	9.0mm	9.0mm	9.0mm	13.49mm
B	61.9mm	74.60mm	74.6mm	95.25mm	80.95mm	106.35mm	98.43mm	125.4mm	182.55mm
C	50.8mm	63.50mm	68.25mm	82.55mm	69.85mm	88.9mm	80.98mm	104.78mm	158.75mm
D	57.15mm	69.85mm	17.17mm	87.3mm	74.6mm	98.43mm	88.90mm	117.48mm	171.45mm
E	2-014 O-Ring [12.42mm]	2-015 O-Ring [12.44mm]	2-017 O-Ring [17.17mm]	2-017 O-Ring [17.17mm]	2-019 O-Ring [20.35mm]	2-019 O-Ring [20.35mm]	2-023 O-Ring [26.70mm]	2-023 O-Ring [26.70mm]	2-028 O-Ring [37.77mm]
F	4.0mm	4.0mm	6.4mm	6.4mm	9.5mm	9.5mm	12.7mm	12.7mm	25.40mm
G	20.62mm	33.32mm	25.4mm	44.45mm	30.15mm	47.63mm	36.5mm	57.15mm	76.2mm
H	N/A	12.7mm	N/A	19.05mm	N/A	19.05mm	N/A	19.05mm	25.4mm
I	85mm	92.4mm	111.1mm	121.2mm	119.5mm	134.9mm	137.0mm	156.4mm	218.4mm
J	46.5mm	51.6mm	57.5mm	63.6mm	60.0mm	67.2mm	68.7mm	79.9mm	111.1mm
K	22.2mm	25.4mm	25.4mm	28.5mm	25.4mm	28.5mm	30.1mm	41.3mm	41.3mm
L	6.35mm	6.35mm	6.35mm	7.92mm	6.35mm	7.92mm	7.92mm	9.53mm	15.90mm
M	41.28mm	55.55mm	50.8mm	69.85mm	60.33mm	76.2mm	69.85mm	92.1mm	127.00mm
N	3.18mm	3.18mm	3.18mm	3.18mm	3.18mm	3.18mm	3.18mm	4.75mm	4.75mm
O	39.0mm	45.97mm	49.27mm	63.5mm	57.15mm	72.15mm	65.53mm	88.9mm	133.35mm
P	G1/8"	G1/8"	G1/4"	G1/4"	G3/8"	G3/8"	G1/2"	G1/2"	G1"
Q	14mm	14mm	21.03mm	21.03mm	24.13mm	26.16mm	28.1mm	30.12mm	45.57mm
R	N/A	18.5	N/A	34.90mm	N/A	34.90mm	N/A	34.90mm	34.90
S	N/A	M3x0.5	N/A	M5x0.8	N/A	M5x0.8	N/A	M5x0.8	M5x0.8
T	M5	M6x1.0	M6x1.0	M8x1.25	M6x1.0	M8x1.25	M8x1.25	M8x1.25	M12x1.75

MGP3(3进3出 多功能旋转接头)

订购型号说明

MGP31-ID12-VC

MCGP:紧凑型多功能旋转接头

2: 2进2出

1: 接口尺寸, 1=G1/8", 2=G1/4", 3=G3/8"
4=G1/2", 5=G5/8", 6=G3/4", 8=G1", 10=G(1+1/4")

产品等级代号

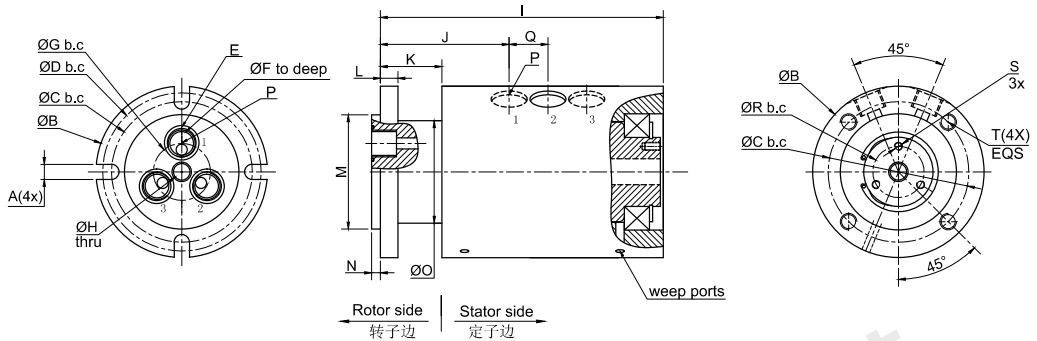
VC 通用级产品等级

VD 工业级产品等级

默认省略=VC通用级产品等级

ID12: 内孔12mm

MGP3 (多功能旋转接头) 尺寸图



选型表

MGP3系列选型表									
型号	通道数	接口尺寸	内孔尺寸	压力范围	型号	通道数	接口尺寸	内孔尺寸	压力范围
MGP31	3进3出	G1/8"	N/A	0-50MPa	MGP33-ID19	3进3出	G3/8"	19mm	0-50MPa
MGP31-ID12	3进3出	G1/8"	12mm	0-50MPa	MGP34	3进3出	G1/2"	N/A	0-50MPa
MGP32	3进3出	G1/4"	N/A	0-50MPa	MGP34-ID19	3进3出	G1/2"	19mm	0-50MPa
MGP32-ID19	3进3出	G1/4"	19mm	0-50MPa	MGP36	3进3出	G3/4"	N/A	0-50MPa
MGP33	3进3出	G3/8"	N/A	0-50MPa	MGP37	3进3出	G7/8"	N/A	0-50MPa

Size	MGP31	MGP31-ID12	MGP32	MH32-ID19	MGP33	MGP33-ID19	MGP34	MGP34-ID19	MGP36	MGP37
A	7.14mm	7.14mm	7.14mm	9.0mm	9.0mm	9.0mm	9.0mm	9.0mm	11.00mm	13.49mm
B	68.28mm	74.60mm	80.95mm	95.25mm	98.43mm	106.35mm	107.95mm	125.4mm	131.75mm	176.20mm
C	53.98mm	60.33mm	69.85mm	82.55mm	82.55mm	92.08mm	92.08mm	104.78mm	114.30mm	146.05mm
D	63.50mm	69.85mm	74.60mm	87.3mm	90.47mm	98.43mm	100.00mm	117.48mm	122.22mm	165.10mm
E	2-015 O-Ring [14.00mm]	2-015 O-Ring [14.00mm]	2-017 O-Ring [17.17mm]	2-017 O-Ring [17.17mm]	2-019 O-Ring [20.35mm]	2-019 O-Ring [20.35mm]	2-023 O-Ring [26.70mm]	2-023 O-Ring [26.70mm]	2-028 O-Ring [31.47mm]	2-028 O-Ring [37.77mm]
F	4.0mm	4.0mm	6.4mm	6.4mm	9.5mm	9.5mm	12.7mm	12.7mm	19.05mm	25.40mm
G	25.4mm	33.32mm	31.75mm	44.45mm	44.45mm	47.63mm	44.5mm	57.15mm	53.98mm	53.98mm
H	N/A	12.7mm	N/A	19.05mm	N/A	19.05mm	N/A	19.05mm	N/A	N/A
I	105.3mm	106.3mm	134.4mm	142.3mm	153.2mm	161.1mm	179.3mm	188.1mm	210.2mm	268.4mm
J	50.6mm	51.6mm	58.4mm	63.6mm	66.8mm	67.2mm	75.5mm	81.5mm	86.1mm	115.1mm
K	25.4mm	25.4mm	25.4mm	28.5mm	30.1mm	28.5mm	34.9mm	42.8mm	38.1mm	57.2mm
L	6.35mm	6.35mm	6.35mm	7.92mm	7.92mm	7.92mm	9.53mm	11.10mm	11.10mm	15.88mm
M	47.63mm	55.55mm	60.33mm	69.85mm	66.68mm	76.2mm	79.385mm	92.1mm	95.25mm	117.48mm
N	3.18mm	3.18mm	3.18mm	3.18mm	3.18mm	3.18mm	4.75mm	4.75mm	4.75mm	4.75mm
O	44.5mm	46.0mm	57.2mm	63.5mm	65.4mm	65.4mm	74.2mm	88.9mm	87.6mm	127.0mm
P	G1/8"	G1/8"	G1/4"	G1/4"	G3/8"	G3/8"	G1/2"	G1/2"	G3/4"	G1"
Q	14mm	14mm	21.03mm	21.03mm	24.13mm	26.16mm	30.12mm	30.12mm	30.12mm	45.57mm
R	N/A	18.5	N/A	34.90mm	N/A	34.90mm	N/A	34.90mm	N/A	N/A
S	N/A	M3x0.5	N/A	M5x0.8	N/A	M5x0.8	N/A	M5x0.8	N/A	N/A
T	M6x1.0	M6x1.0	M6x1.0	M8x1.25	M8x1.25	M8x1.25	M8x1.25	M8x1.25	M8x1.25	M12x1.75

MGP4(4进4出 多功能旋转接头)

订购型号说明

MGP41-ID12-VC

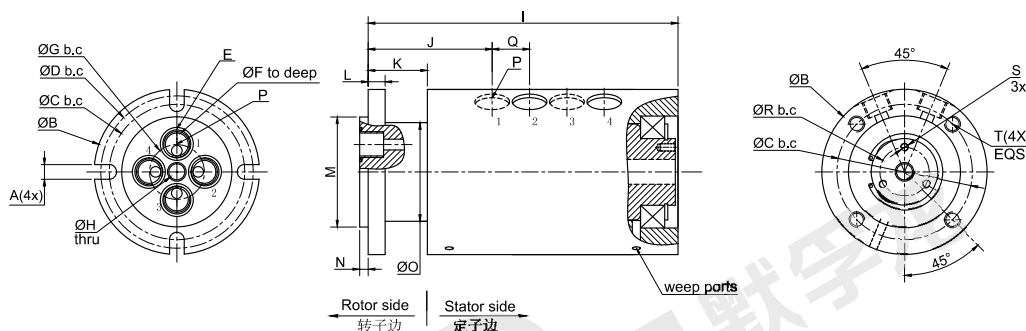
MCGP:紧凑型多功能旋转接头

2: 2进2出

1: 接口尺寸, 1=G1/8", 2=G1/4", 3=G3/8"
4=G1/2", 5=G5/8", 6=G3/4", 8=G1", 10=G(1+1/4")产品等级代号
VC 通用级产品等级
VD 工业级产品等级
默认省略=VC通用级产品等级

ID12: 内孔12mm

MGP4 (多功能旋转接头) 尺寸图



选型表

MGP4系列选型表

型号	通道数	接口尺寸	内孔尺寸	压力范围	型号	通道数	接口尺寸	内孔尺寸	压力范围
MGP41	4进4出	G1/8"	N/A	0-50MPa	MGP43-ID19	4进4出	G3/8"	19mm	0-50MPa
MGP41-ID12	4进4出	G1/8"	12mm	0-50MPa	MGP44	4进4出	G1/2"	N/A	0-50MPa
MGP42	4进4出	G1/4"	N/A	0-50MPa	MGP44-ID19	4进4出	G1/2"	19mm	0-50MPa
MGP42-ID19	4进4出	G1/4"	19mm	0-50MPa	MGP46	4进4出	G3/4"	N/A	0-50MPa
MGP43	4进4出	G3/8"	N/A	0-50MPa	MGP47	4进4出	G7/8"	N/A	0-50MPa

Size	MGP41	MGP41-ID12	MGP42	MGP42-ID19	MGP43	MGP43-ID19	MGP44	MGP44-ID19	MGP46	MGP47
A	7.14mm	7.14mm	7.14mm	9.0mm	9.0mm	9.0mm	9.0mm	9.0mm	11.00mm	13.49mm
B	68.28mm	74.60mm	80.95mm	95.25mm	98.43mm	106.35mm	107.95mm	125.4mm	131.75mm	182.55mm
C	53.98mm	60.33mm	69.85mm	82.55mm	82.55mm	92.08mm	92.08mm	104.78mm	114.30mm	152.40mm
D	63.50mm	69.85mm	74.60mm	87.3mm	90.47mm	98.43mm	100.00mm	117.48mm	122.22mm	165.10mm
E	2-015 O-Ring [14.00mm]	2-015 O-Ring [14.00mm]	2-017 O-Ring [17.17mm]	2-017 O-Ring [17.17mm]	2-019 O-Ring [20.35mm]	2-019 O-Ring [20.35mm]	2-023 O-Ring [26.70mm]	2-023 O-Ring [26.70mm]	2-026 O-Ring [31.47mm]	2-028 O-Ring [37.77mm]
F	4.0mm	4.0mm	6.4mm	6.4mm	9.5mm	9.5mm	12.7mm	12.7mm	19.05mm	25.40mm
G	26.97mm	33.32mm	34.93mm	44.45mm	38.10mm	47.63mm	44.5mm	57.15mm	53.98mm	76.2mm
H	N/A	12.7mm	N/A	19.05mm	N/A	19.05mm	N/A	19.05mm	N/A	25.4
I	119.3mm	120.3mm	155.4mm	160.7mm	177.3mm	187.2mm	209.5mm	218.2mm	247.1mm	268.4mm
J	50.6mm	51.6mm	58.4mm	63.6mm	66.8mm	67.2mm	75.5mm	81.5mm	86.1mm	111.1mm
K	25.4mm	25.4mm	25.4mm	28.5mm	30.1mm	28.5mm	34.9mm	42.8mm	38.1mm	57.2mm
L	6.35mm	6.35mm	6.35mm	7.92mm	7.92mm	7.92mm	9.53mm	11.10mm	11.10mm	15.88mm
M	47.63mm	55.55mm	60.33mm	69.85mm	66.68mm	76.2mm	79.38mm	92.1mm	95.25mm	117.48mm
N	3.18mm	3.18mm	3.18mm	3.18mm	3.18mm	3.18mm	4.75mm	4.75mm	4.75mm	4.75mm
O	44.5mm	46.0mm	55.9mm	63.5mm	65.4mm	72.1mm	74.2mm	88.9mm	87.6mm	133.4mm
P	G1/8"	G1/8"	G1/4"	G1/4"	G3/8"	G3/8"	G1/2"	G1/2"	G3/4"	G1"
Q	14mm	14mm	21.03mm	21.03mm	24.13mm	26.16mm	30.12mm	30.12mm	36.93mm	45.57mm
R	N/A	18.5	N/A	34.90mm	N/A	34.90mm	N/A	34.90mm	N/A	34.90mm
S	N/A	M3x0.5	N/A	M5x0.8	N/A	M5x0.8	N/A	M5x0.8	N/A	M5x0.8
T	M6x1.0	M6x1.0	M6x1.0	M8x1.25	M8x1.25	M8x1.25	M8x1.25	M8x1.25	M8x1.25	M12x1.75

MGP6(6进6出 多功能旋转接头/滑环)

订购型号说明

MGP61-ID12-VC

MGP6:紧凑型多功能旋转接头

2: 2进2出

1: 接口尺寸, 1=G1/8", 2=G1/4", 3=G3/8"
4=G1/2", 5=G5/8", 6=G3/4", 8=G1", 10=G(1+1/4")

产品等级代号

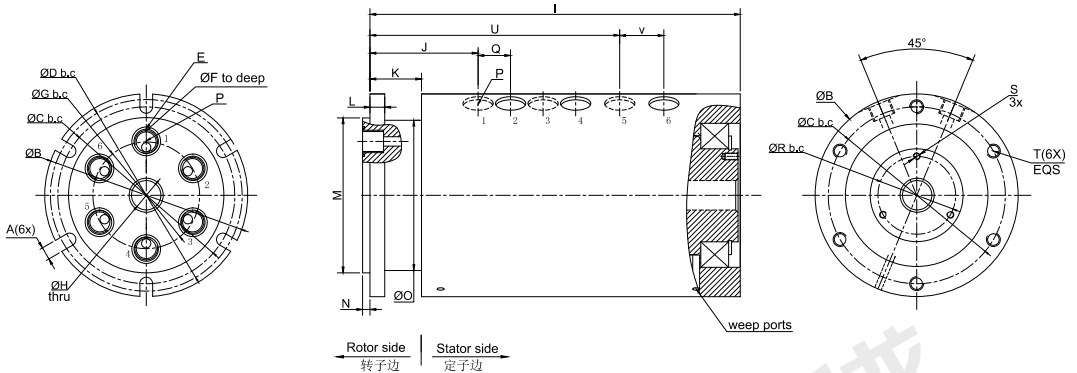
VC 通用级产品等级

VD 工业级产品等级

默认省略=VC通用级产品等级

ID12: 内孔12mm

MGP6 (多功能旋转接头) 尺寸图



选型表

MGP6系列选型表

型号	通道数	接口尺寸	内孔尺寸	压力范围	型号	通道数	接口尺寸	内孔尺寸	压力范围
MGP61-ID12	6进6出	G1/8"	12mm	0-50MPa	MGP64	6进6出	G1/2"	N/A	0-50MPa
MGP62-ID19	6进6出	G1/4"	19mm	0-50MPa	MGP65	6进6出	G5/8"	N/A	0-50MPa
MGP63-ID19	6进6出	G3/8"	19mm	0-50MPa					

Size	MGP61-ID12	MGP62-ID19	MGP63-ID19	MGP64	MGP65
A	7.14mm	9mm	9mm	9.0mm	11.0mm
B	80.95mm	101.60mm	107.95mm	125.4mm	163.50mm
C	66.68mm	85.73mm	92.08mm	104.78mm	142.88mm
D	76.20mm	92.08mm	100.00mm	117.48mm	152.40mm
E	2-015 O-Ring [14.00mm]	2-017 O-Ring [17.17mm]	2-019 O-Ring [20.35mm]	2-023 O-Ring [26.70mm]	2-026 O-Ring [31.47mm]
F	4.0mm	6.4mm	9.53mm	12.7mm	19.05mm
G	39.67mm	33.32mm	53.98mm	61.90mm	79.38mm
H	12.7mm	19.05mm	19.05mm	N/A	19.05
I	164.7mm	207.6mm	227.7mm	261.8mm	336.1mm
J	61.9mm	70.4mm	72.0mm	81.5mm	90.5mm
K	30.1mm	33.3mm	33.3mm	42.8mm	44.5mm
L	7.92mm	7.92mm	7.92mm	11.10mm	12.70mm
M	60.33mm	73.03mm	82.55mm	96.825mm	120.65mm
N	3.18mm	3.18mm	3.18mm	4.75mm	4.75mm
O	55.6mm	69.9mm	72.2mm	94.5mm	114.3mm
P	G1/8"	G1/4"	G3/8"	G1/2"	G3/4"
Q	14mm	17.5mm	20.60mm	24.56mm	37.72mm
R	18.5	34.9	34.9	N/A	34.90mm
S	M3x0.5	M5x0.8	M5x0.8	N/A	M5x0.8
T	M6x1.0	M8x1.25	M8x1.25	M8x1.25	M10x1.25
U	N/A	146.0mm	159.9mm	185.3mm	N/A
V	N/A	23.06mm	23.16mm	30.12mm	N/A

MGP8(8进8出 多功能旋转接头/滑环)

订购型号说明

MGP81-ID12-VC

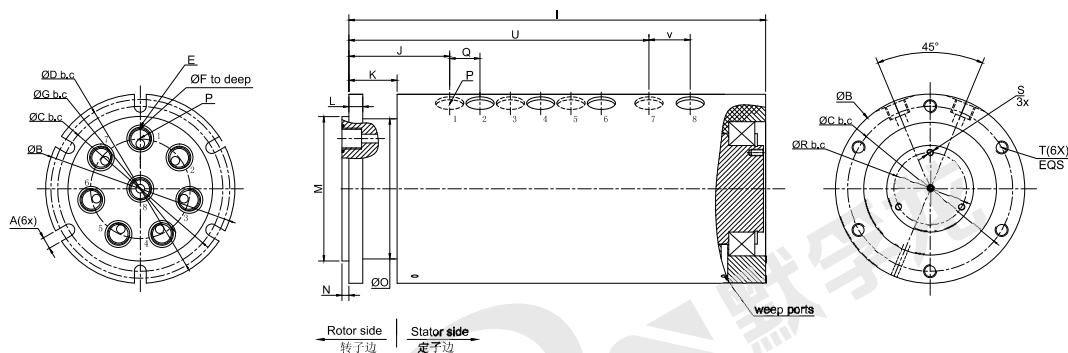
MGP:紧凑型多功能旋转接头

2: 2进2出

1: 接口尺寸, 1=G1/8", 2=G1/4", 3=G3/8"
4=G1/2", 5=G5/8", 6=G3/4", 8=G1", 10=G(1+1/4")产品等级代号
VC 通用级产品等级
VD 工业级产品等级
默认省略=VC通用级产品等级

ID12: 内孔12mm

MGP8 (多功能旋转接头) 尺寸图



选型表

MGP8系列选型表

型号	通道数	接口尺寸	内孔尺寸	压力范围	型号	通道数	接口尺寸	内孔尺寸	压力范围
MGP81	8进8出	G1/8"	N/A	0-50MPa	MGP83	8进8出	G3/8"	N/A	0-50MPa
MGP82	8进8出	G1/4"	N/A	0-50MPa	MGP84	8进8出	G1/2"	N/A	0-50MPa

Size	MGP81	MGP82	MGP83	MGP84
A	7.14mm	9mm	9mm	9.0mm
B	87.3095mm	107.95mm	125.40mm	142.88mm
C	76.20mm	92.08mm	109.52mm	127.00mm
D	82.55mm	100.008mm	117.4500mm	133.25mm
E	2-015 O-Ring [14.00mm]	2-017 O-Ring [17.17mm]	2-019 O-Ring [20.35mm]	2-023 O-Ring [26.70mm]
F	4.0mm	6.4mm	9.53mm	12.7mm
G	46.02mm	53.98mm	63.50mm	73.03mm
H	N/A	N/A	N/A	N/A
I	190.2mm	244.1mm	227.7mm	316.2mm
J	58.9mm	70.4mm	77.9mm	83.5mm
K	30.1mm	33.3mm	41.3mm	42.8mm
L	7.92mm	7.92mm	9.53mm	11.10mm
M	66.7mm	79.38mm	92.08mm	107.95mm
N	3.18mm	3.18mm	4.75mm	4.75mm
O	64.72mm	74.20mm	91.44mm	101.60mm
P	G1/8"	G1/4"	G3/8"	G1/2"
Q	14mm	17.5mm	20.60mm	24.56mm
R	34.9	34.9	34.9	N/A
S	M5x0.8	M5x0.8	M5x0.8	N/A
T	M6x1.0	M8x1.25	M8x1.25	M8x1.25
U	N/A	118.0mm	207.1mm	236.4mm
V	N/A	23.06mm	23.16mm	30.12mm